

Distribuido por  
**HOMEDICS®**

**GARANTÍA LIMITADA POR DOS AÑOS**

HoMedics vende sus productos con la intención de que no tengan defectos de fabricación ni de mano de obra por un plazo de dos años a partir de la fecha de compra original, con las siguientes excepciones. HoMedics garantiza que sus productos no tendrán defectos de material ni de mano de obra bajo condiciones de uso y servicio normales. Esta garantía se extiende únicamente a consumidores y no a distribuidores.

Para obtener servicio para su producto HoMedics, envíe por correo el producto y su recibo de compra fechado (como comprobante de compra), con franqueo pago, a la siguiente dirección:

HoMedics Service Center  
Dept. 168, Suite 3  
43155 West Nine Mile Rd  
Novi, MI 48375

No se aceptarán pagos contra entrega.

HoMedics no autoriza a nadie, incluyendo, pero sin limitarse a, distribuidores, posteriores consumidores compradores del producto a un distribuidor, o compradores remotos, a obligar a HoMedics de forma alguna más allá de las condiciones aquí establecidas. La garantía de este producto no cubre daños causados por uso inadecuado o abuso, accidente, conexión de accesorios no autorizados, alteración del producto, instalación inadecuada, reparaciones o modificaciones no autorizadas, uso inadecuado de la fuente de energía/electricidad, cortes de energía, caída del producto, funcionamiento incorrecto o daño de una pieza de funcionamiento debido al no cumplimiento del mantenimiento recomendado por el fabricante, daños durante el transporte, robo, descuido, vandalismo, condiciones climáticas, pérdida de uso en el período durante el cual el producto está en una instalación de reparación o a la espera de piezas o reparación, o cualquier otra condición, sin importar cual sea, que se encuentre fuera del control de HoMedics.

Esta garantía es válida únicamente si el producto es comprado y operado en el país en el cual se compró el producto. Un producto que requiera modificaciones o adaptación para habilitar su funcionamiento en cualquier país que no sea aquél para el que fue diseñado, fabricado, aprobado y/o autorizado, o la reparación de productos dañados por estas modificaciones no están cubiertos bajo esta garantía.

LA GARANTÍA AQUÍ ESTABLECIDA SERÁ LA ÚNICA Y EXCLUSIVA GARANTÍA. NO HABRÁ NINGUNA OTRA GARANTÍA EXPRESA NI IMPLÍCITA, INCLUYENDO NINGUNA GARANTÍA DE COMERCIALIZACIÓN O APTITUD NI NINGUNA OTRA OBLIGACIÓN POR PARTE DE LA COMPAÑÍA CON RESPECTO A PRODUCTOS CUBIERTOS POR ESTA GARANTÍA. HOMEDICS NO TENDRÁ RESPONSABILIDAD ALGUNA POR NINGÚN DAÑO INCIDENTAL, CONSECUENTE NI ESPECIAL. BAJO NINGÚN CONCEPTO ESTA GARANTÍA REQUERIRÁ MÁS QUE LA REPARACIÓN O CAMBIO DE ALGUNA PIEZA O PIEZAS QUE SE HALLEN DEFECTUOSAS DENTRO DEL PERÍODO DE VIGENCIA DE ESTA GARANTÍA. NO SE EFECTUARÁN REEMBOLSOS. SI NO HAY PIEZAS DE REPUESTO DISPONIBLES PARA LOS MATERIALES DEFECTUOSOS, HOMEDICS SE RESERVA EL DERECHO DE REALIZAR SUSTITUCIONES EN VEZ DE REPARAR O CAMBIAR.

Esta garantía no se extiende a la compra de productos abiertos, usados, reparados, embalados otra vez y/o abiertos y vueltos a cerrar, incluyendo entre otras cosas la venta de dichos productos en sitios de remate por Internet y/o la venta de dichos productos por revendedores o mayoristas. Todas y cada una de las garantías cesarán y terminarán inmediatamente con respecto a cualquier producto o pieza del mismo que estén reparados, cambiados, alterados o modificados sin el consentimiento previo explícito y por escrito de HoMedics.

Esta garantía le proporciona derechos legales específicos. Es posible que usted tenga derechos adicionales que pueden variar de un país a otro. Debido a las regulaciones de ciertos países, es posible que algunas de las limitaciones y exclusiones no se apliquen en su caso.

Por más información con respecto a nuestra línea de productos en los EE.UU., visítenos en: [www.homedics.com](http://www.homedics.com)

©2008-2010 HoMedics, Inc. y sus compañías afiliadas, reservados todos los derechos. HoMedics® es una marca registrada de HoMedics Inc. y sus compañías afiliadas. Reservados todos los derechos. Personal de los Estados Unidos Trainer® y son marcas registradas Destress® de la Corporación de Salud Internacional.

IB-AG3501TL

Distributed by  
**HOMEDICS®**



**Instruction Manual and  
Warranty Information**

AG-3501TL  
AG-3501CBNTL  
AG-3501BRGTL

**El manual  
en español  
empieza a la  
página 15**

**2** year  
limited warranty



## A NOTE FROM TONY LITTLE

My commitment is to you the customer and always will be. I will always do my best to bring you innovative, useful, quality of life enhancing products that cover all categories of health fitness and wellness.

Enjoy life, Believe in Yourself and Always Go For It!

*Tony Little*  
 America's Personal Trainer®

## IMPORTANT SAFEGUARDS

WHEN USING ELECTRICAL PRODUCTS, ESPECIALLY WHEN CHILDREN ARE PRESENT, BASIC SAFETY PRECAUTIONS SHOULD ALWAYS BE FOLLOWED, INCLUDING THE FOLLOWING:

READ ALL INSTRUCTIONS BEFORE USING

### DANGER- TO REDUCE THE RISK OF ELECTRIC SHOCK:

- ALWAYS unplug the appliance from the electrical outlet immediately after using and before cleaning.
- DO NOT reach for an appliance that has fallen into water. Unplug it immediately.

### WARNING - TO REDUCE THE RISK OF BURNS, ELECTRIC SHOCK, FIRE OR INJURY TO PERSONS:

- An appliance should never be left unattended when plugged in. Unplug from outlet when not in use and before putting on or taking off parts or attachments.
- Close supervision is necessary when this appliance is used by, on or near children or disabled persons.
- Use this appliance only for its intended use as described in this manual. Do not use attachments not recommended by HoMedics; specifically any attachments not provided with the unit.
- NEVER operate this appliance if it has a damaged cord or plug, if it is not working properly, if it has been dropped or damaged, or dropped into water. Return it to HoMedics Service Center for examination and repair.
- Keep cord away from heated surfaces.
- NEVER drop or insert any object into any opening.

**Please Note:  
 Hands and fingers should rest comfortably on top of arm rests. When moving the recliner between resting positions, fingers can be pinched if placed into the areas of the leg noted on the yellow caution sticker. (See yellow caution sticker on recliner legs.)**

- DO NOT operate where aerosol (spray) products are being used or where oxygen is being administered.
- DO NOT operate under a blanket or pillow. Excessive heating can occur and cause fire, electrocution or injury to persons.
- DO NOT carry this appliance by supply cord or use cord as handle.
- To disconnect, turn all controls to the "OFF" position, then remove plug from outlet.
- NEVER operate the appliance with the air openings blocked. Keep the air openings free of lint, hair, and the like.
- Use heated surfaces carefully. May cause serious burns. Do not use over insensitive skin areas or in the presence of poor circulation. The unattended use of heat by children or incapacitated persons may be dangerous.

## SAVE THESE INSTRUCTIONS

**Caution—Please read all instructions carefully before operating.**

- This product is not intended for medical use. It is intended only to provide a luxurious massage.
- Consult your doctor prior to using this product, if
  - You are pregnant
  - You have a pacemaker
  - You have any concerns regarding your health
- Not recommended for use by diabetics.
- NEVER leave the appliance unattended, especially if children are present.
- NEVER cover the appliance when it is in operation.
- DO NOT use this product for more than 60 minutes at a time.
- Extensive use could lead to the products excessive heating and shorter life. Should this occur, discontinue use and allow the unit to cool before operating.
- NEVER use this product directly on swollen or inflamed areas or skin eruptions.
- DO NOT use this product as a substitute for medical attention.
- DO NOT use this product before bed. The massage has a stimulating effect and can delay sleep.
- This product should NEVER be used by any individual suffering from any physical ailment that would limit the user's capacity to operate the controls.
- This product should never be used by any individual suffering from any ailments that would limit or altogether inhibit the user's capacity to feel or have any sensation in the body part that the product is being used on.
- This unit should not be used by children or invalids without adult supervision.

**Important Notice:**  
**If you experience any type of distortion or interference to radio or television reception when turning the unit to the ON position, immediately turn the unit off. Wait a few seconds before turning the unit on and distortion/interference should be eliminated.**

## Assembly Instructions

- Carefully remove all contents from the packaging and inspect the product to make sure all components of the recliner are present. These should include (figure 1):
  - Right side armrest with hand control pocket (A)
  - Left side armrest (B)
  - Crossbars (C) & (D)
  - Cup holder (E)
  - Back and leg frames with attached slip covers (F) (G)
  - Small nuts and washers (8) (H)
  - Large bolts (8) (I)
  - Allen wrench (J1)
  - Open end wrench (J2)
  - Massage mat with attached hand control (K)
  - Detachable headrest (L)
  - AC adaptor (M)

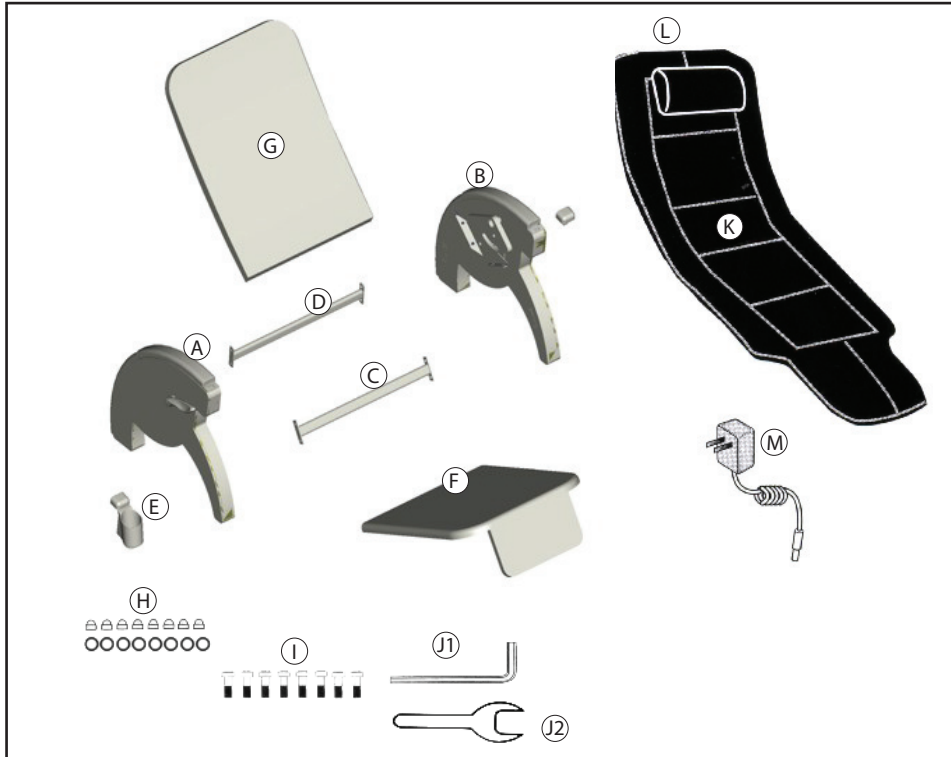


Figure 1

### 2. Assemble Chair Base:

- Attach both crossbars (figure 2) to the right hand armrest, matching corresponding numbers, and insert large bolts. Tighten partially with Allen wrench.
- Attach both crossbars to left side armrest, matching the corresponding letters, and insert large bolts (figure 3). Tighten partially with the Allen wrench. Stand base upright.



Figure 2



Figure 3

### 3. Attach Back Frame to Base:

- Slide the back of the chair into the frame with the straps facing the chair (figure 4).
- Align the back by inserting the large bolts into the frame.
- Place a washer and nut over each bolt to secure the Back Frame to the Chair Base. Use open end wrench to tighten partially (figures 5A and 5B).



Figure 4



Figure 5A



Figure 5B

4. Attach Seat/Leg Frame to Base:

- Flip the chair on its back and slide the seat in place. Place into frame with the straps facing the back of the chair (figure 6).



Figure 6

- Align the seat by inserting large bolts into the frame.
- Place washer and nut over each bolt to secure the Seat Frame to the Chair Base. Use open end wrench to tighten partially (figure 7).

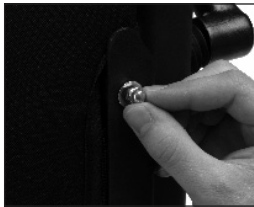


Figure 7

- Stand chair upright and adjust so the base is level. Completely tighten all nuts and bolts now (figure 8).



Figure 8



Figure 9



Figure 10



Figure 11



Figure 12

5. Add Massage Cushion:

- Slide the top pocket of the massage cushion over the top of the back frame (figure 9).

- Slide the bottom pocket over the foot frame by lifting up the footrest (figure 10).

- Smooth down the massage cushion and make it flush with the frame (figure 11).

- The pillow can be repositioned or completely removed by adjusting the strap on the back of the chair (figure 12).

6. Finishing Details:

- Remove all letter and number stickers.
- To add the cup holder, remove the T-block cover and insert the cup holder into either armrest (figures 13A and 13B).
- Feed the power and hand control cord through the back of the frame. Be sure the cords are not twisted.
- Attach the power cord to the adaptor and store the hand control in the pocket on the right side.

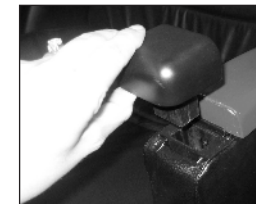


Figure 13A



Figure 13B

## Instructions for Inversion Massage Recliner Use

Your Inversion Massage recliner is designed to provide relaxation in a variety of positions utilizing the easy lock levers on each side of the armrests. The ideal position for optimum relaxation is one in which the feet are above the heart.

**NOTE: The Inversion Massage recliner design has a weight limit of 300 pounds. Persons exceeding this body weight should not use this recliner.**

- Before sitting in the Inversion Massage recliner, be sure it is in the complete upright position by unlocking the levers and pulling the backrest forward until it stops.
- Lock the recliner into the upright position by pulling the levers back towards your head.
- Sit in the chair, unlock levers by pushing forward and lean back slowly. Sitting all the way back in the seat will make it easier to recline. To adjust the angle of the chair, hold on to the armrests and lean back or forward until you reach the desired position. Lock the position into place by pulling the levers back towards your head.
- The footrest may be raised by pulling it upward. Each position will sound with a click. To lower the footrest, raise it until it stops and then push it back towards the floor.
- Before getting out of the Inversion Massage recliner, be sure to return it to its full upright position and lock into place.
- Stand up using the armrests for support.

Tip: To help you recline, slowly raise your hands above your head and lean back. Lock in your desired position with the easy lock levers. To sit upright, unlock the levers and move hands slowly towards your knees while leaning slightly forward. This will bring the recliner back to its full upright position.

## Power Adaptor Instructions

Connect the adaptor jack to the massage cushion's power receptacle located along the right side of the cushion. Once inserted, plug the other end into an AC power outlet. Use only the AC power adaptor provided with this unit.

## AC Power Adaptor Information

Your massage cushion is powered by an attached custom AC home adaptor. Use only the supplied AC home adaptor as other similar-looking adaptors may cause irreparable damage to the unit and will void your warranty.

**Note:  
Heat only  
works with  
massage  
function  
activated**

## Automatic Shut Off

The Inversion Massage recliner has been designed for convenience and safety. As a special precaution against falling asleep while using the unit, or leaving the unit on while it is still in operation, we've programmed it to automatically stop working 60 minutes after receiving your last command. Any time you change massage functions, the timer will reset. This special feature should not be considered as a substitute for OFF. Always remember to turn your unit off when not in use.

**Please Note:**

**For added protection of your unit:** When the heat is left on it will automatically shut off after 15 minutes.





### Power Button

To turn on the massage functions, first press the power button. The L.E.D. indicator will illuminate and confirm your selection. The massage functions can then be activated by pressing the appropriate buttons. To turn off the massage functions, simply press the button again and the L.E.D. indicator will turn off.

### Heat

Soothing heat to the lower back region is activated with this button. To activate the heat, first turn on the massage function. The L.E.D. light will glow to indicate the heat is on. To turn off heat, simply press the button again.

NOTE: When selecting the heat feature with massage action, there will be a slight decrease in the strength of the massage action. This is perfectly normal and should not be interpreted as a defect.

### Power Adaptors

Inversion Massage Recliner is powered by a custom 120 volt AC home adaptor.

Use only supplied adaptor.

**Note:** Heat function will not work unless massage function is activated.

### Massage Styles

Inversion Massage Recliner offers you 8 different massage styles that can easily be selected by pressing the desired button. You can move from one style to another by simply pressing each desired style button. The L.E.D. light will illuminate your selection. Pressing the same button again will turn off the current selection. You can further customize your massage by targeting body zones and varying the speed and/or intensity within each style.

**All Motors:** Activates all 12 motors for a total massage experience

**Random:** Carries pulses to the areas you select in random sequence

**Up and Down:** Pulses travel up and down your body

**Side to Side:** Action flows left to right, and back again

**Tapping:** Strong, invigorating bursts of massage

**Zig Zag:** Massage pulses move in a stimulating "Z" pattern

**In and Out:** Bursts of massage radiate in and out from the center

**Mix :** Combines all of the above styles for the ultimate massage surprise

### Zone Massage Buttons

Direct massage to specific areas: neck/shoulders, back, lower back, seat, thighs. Customize your massage by choosing one specific area or any combination of areas. To personalize your massage, press any of the 6 zone buttons and the corresponding L.E.D. light will illuminate. To deselect an area(s), simply push the button again and the corresponding L.E.D. light will turn off.

### Massage Speed

Choose the speed of the massage pulsations within each massage style. By pressing the massage speed button, you increase the speed from low, to medium, to high. The L.E.D. light will indicate the selected speed. To decrease speed from high to low, simply press the button again.

### Massage Strength

Select the intensity of your massage. Inversion Massage Recliner gives you three options: low, medium and hi. Press the strength button to increase the intensity from low, to medium, and high. The L.E.D. light will indicate the selected intensity. To decrease intensity from high to low, simply press the button again.

### Demo Button

For a brief demonstration of the features of the Inversion Massage Recliner, press the demo button. The unit will complete one cycle of each massage style at each of the three intensity levels. Once complete, the unit automatically turns itself off.



## Maintenance

**To Store:** Place the hand control into the custom storage pocket on the right side of chair. Avoid contact with sharp edges or pointed objects which might damage/puncture the fabric.

**To Clean:** Disconnect massage cushion from power source before cleaning. The massage cushion and hand control may be cleaned with a soft, damp cloth only.

- The massage cushion is not machine washable and must not come into contact with water or any other liquids.
- Do not immerse into liquids to clean.
- Never use abrasive cleaners, brushes, gasoline, kerosene, polish or paint thinner to clean.
- Do not attempt to repair your Inversion Massage recliner. There are no user serviceable parts. For service, send the unit to the HoMedics service address listed in the warranty section.

**Frame:** Periodically, the frame should be checked to ensure the screws are tight. If the frame is found to be loose, tighten screws with the tools provided.

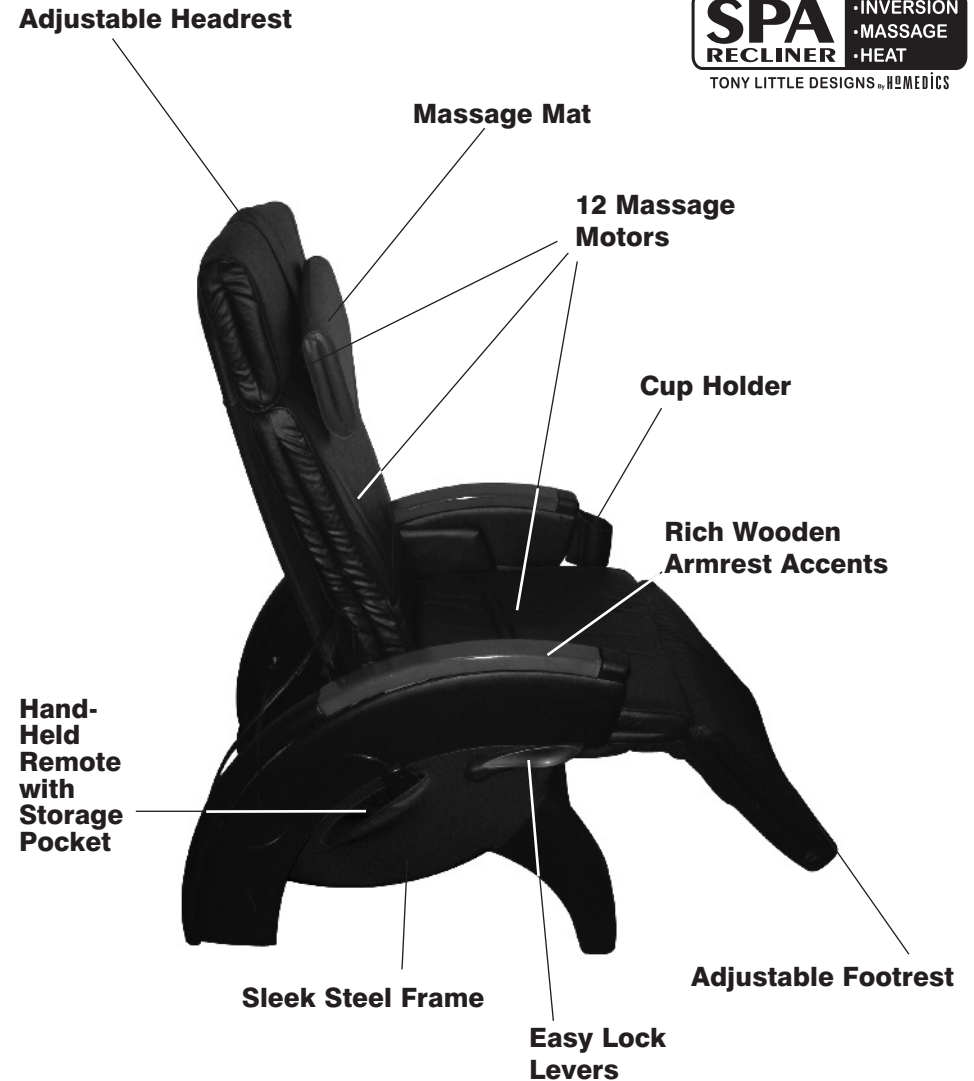
The Inversion Massage recliner and massage cushion are designed for indoor applications only. Use of this product for outdoor applications may cause irreparable damage and void your warranty.

This device complies with Part 15 of the FCC Rules. Operation is subject to the following two conditions: (1) this device may not cause harmful interference, and (2) this device must accept any interference received, including interference that may cause undesired operation.

**Note:** The manufacturer is not responsible for any radio or TV interference caused by unauthorized modifications to this equipment. Such modifications could void the user authority to operate the equipment.

**Note:** This equipment has been tested and found to comply with the limits for a Class B digital device, pursuant to Part 15 of the FCC Rules. These limits are designed to provide reasonable protection against harmful interference in a residential installation. This equipment generates, uses, and can radiate radio frequency energy and, if not installed and used in accordance with the instructions, may cause harmful interference to radio communications. However, there is no guarantee that interference will not occur in a particular installation. If this equipment does cause harmful interference to radio or television reception, which can be determined by turning the equipment off and on, the user is encouraged to try to correct the interference by one or more of the following measures:

- Reorient or relocate the receiving antenna.
- Increase the separation between the equipment and receiver.
- Connect the equipment into an outlet on a circuit different from that to which the receiver is connected.
- Consult the dealer or an experienced radio/TV technician for help.



Distributed by  
**HOMEDICS®**

LIMITED TWO YEAR WARRANTY

HoMedics sells its products with the intent that they are free of defects in manufacture and workmanship for a period of two years from the date of original purchase, except as noted below. HoMedics warrants that its products will be free of defects in material and workmanship under normal use and service. This warranty extends only to consumers and does not extend to Retailers.

To obtain warranty service on your HoMedics product, mail the product and your dated sales receipt (as proof of purchase), postpaid, to the following address:

HoMedics Service Center  
Dept. 168, Suite 3  
43155 West Nine Mile Rd  
Novi, MI 48375

No COD's will be accepted.

HoMedics does not authorize anyone, including, but not limited to, Retailers, the subsequent consumer purchaser of the product from a Retailer or remote purchasers, to obligate HoMedics in any way beyond the terms set forth herein. This warranty does not cover damage caused by misuse or abuse; accident; the attachment of any unauthorized accessory; alteration to the product; improper installation; unauthorized repairs or modifications; improper use of electrical/power supply; loss of power; dropped product; malfunction or damage of an operating part from failure to provide manufacturer's recommended maintenance; transportation damage; theft; neglect; vandalism; or environmental conditions; loss of use during the period the product is at a repair facility or otherwise awaiting parts or repair; or any other conditions whatsoever that are beyond the control of HoMedics.

This warranty is effective only if the product is purchased and operated in the country in which the product is purchased. A product that requires modifications or adoption to enable it to operate in any other country than the country for which it was designed, manufactured, approved and/or authorized, or repair of products damaged by these modifications is not covered under this warranty.

THE WARRANTY PROVIDED HEREIN SHALL BE THE SOLE AND EXCLUSIVE WARRANTY. THERE SHALL BE NO OTHER WARRANTIES EXPRESS OR IMPLIED INCLUDING ANY IMPLIED WARRANTY OF MERCHANTABILITY OR FITNESS OR ANY OTHER OBLIGATION ON THE PART OF THE COMPANY WITH RESPECT TO PRODUCTS COVERED BY THIS WARRANTY. HOMEDICS SHALL HAVE NO LIABILITY FOR ANY INCIDENTAL, CONSEQUENTIAL OR SPECIAL DAMAGES. IN NO EVENT SHALL THIS WARRANTY REQUIRE MORE THAN THE REPAIR OR REPLACEMENT OF ANY PART OR PARTS WHICH ARE FOUND TO BE DEFECTIVE WITHIN THE EFFECTIVE PERIOD OF THE WARRANTY. NO REFUNDS WILL BE GIVEN. IF REPLACEMENT PARTS FOR DEFECTIVE MATERIALS ARE NOT AVAILABLE, HOMEDICS RESERVES THE RIGHT TO MAKE PRODUCT SUBSTITUTIONS IN LIEU OF REPAIR OR REPLACEMENT.

This warranty does not extend to the purchase of opened, used, repaired, repackaged and/or resealed products, including but not limited to sale of such products on Internet auction sites and/or sales of such products by surplus or bulk resellers. Any and all warranties or guarantees shall immediately cease and terminate as to any products or parts thereof which are repaired, replaced, altered, or modified, without the prior express and written consent of HoMedics.

This warranty provides you with specific legal rights. You may have additional rights which may vary from country to country. Because of individual country regulations, some of the above limitations and exclusions may not apply to you.

For more information regarding our product line in the USA, please visit: [www.homedics.com](http://www.homedics.com)

**HoMedics Service Center**  
**1.800.466.3342**  
**8:30am – 7:00pm (EST)**  
**M – F**

**Mail To:**  
**HoMedics Service Center**  
**Dept. 168, Suite 3**  
**43155 West Nine Mile Rd**  
**Novi, MI 48375**

**Email:**  
**[cservice@homedics.com](mailto:cservice@homedics.com)**

Distribuido por  
**HOMEDICS®**



©2008-2010 HoMedics, Inc. and its affiliated companies, all rights reserved.  
HoMedics® is a registered trademark of HoMedics Inc. and its affiliated companies.  
All rights reserved. America's Personal Trainer® and Destress® are registered trademarks of Health International Corporation.  
IB-AG3501TL

**Manual de instrucciones  
e información de garantía**

AG-3501TL  
AG-3501CBNTL  
AG-3501BRGTL

**2 años  
garantía limitada**





## UN MENSAJE DE TONY LITTLE

Mi compromiso es, y será siempre con usted, el cliente. Haré siempre lo mejor para ofrecerle productos novedosos y útiles para mejorar su calidad de vida, en todas las categorías de la salud y el bienestar.

Disfrute de la vida, Crea en sí mismo y ¡Siempre adelante!

America's Personal Trainer®

## PRECAUCIONES IMPORTANTES

CUANDO UTILICE PRODUCTOS ELÉCTRICOS, ESPECIALMENTE CUANDO ESTÁN NIÑOS PRESENTES, SE DEBEN CUMPLIR CIERTAS PRECAUCIONES BÁSICAS DE SEGURIDAD, INCLUYENDO LO SIGUIENTE:

LEA TODAS LAS INSTRUCCIONES ANTES DE USAR

### PELIGRO - PARA REDUCIR EL RIESGO DE CHOQUE ELÉCTRICO:

- SIEMPRE desenchufe el artefacto del tomacorriente, inmediatamente después de usar y antes de limpiarlo.
- NUNCA intente tomar un artefacto que haya caído al agua. Desenchúfelo de inmediato.

### ADVERTENCIA - PARA REDUCIR EL RIESGO DE QUEMADURAS, CHOQUE ELÉCTRICO, INCENDIO O LESIONES A LAS PERSONAS:

- Un artefacto nunca debe ser dejado sin atención cuando está enchufado. Desenchúfelo del tomacorriente cuando no lo esté usando y antes de colocar o quitar piezas o accesorios.
- Cuando niños o personas discapacitadas usen este dispositivo, es necesario supervisarlos de cerca.
- Utilice este artefacto sólo para el uso para el cual fue diseñado y como se describe en este manual. No use accesorios no recomendados por HoMedics, especialmente si no han sido incluidos con la unidad.
- NUNCA haga funcionar este artefacto si tiene el cable o enchufe dañado, si no está funcionando adecuadamente, si se cayó o se dañó o si se dejó caer al agua. Envíelo al Centro de servicio de HoMedics para que lo examinen y lo reparen.
- Mantenga el cable alejado de superficies calientes.
- NUNCA lo deje caer ni inserte objeto alguno en ninguna apertura.

**Atención:**  
**Las manos y los dedos deben descansar cómodamente sobre los apoyabrazos. Al ajustar las distintas posiciones del sillón reclinable, los dedos pueden quedar pellizcados si se colocan en las áreas de las patas, indicadas en amarillo en la etiqueta de advertencia. (Vea la etiqueta amarilla de advertencia en el área de las patas del sillón reclinable).**

- NO lo use donde se hayan usado productos de aerosol (spray) o donde se esté administrando oxígeno.
- NO lo use bajo una cobija o almohada. Podría ocurrir calor excesivo y causar incendio, choque eléctrico o lesiones a personas.
- NO traslade este aparato halándolo por el cable ni use el cable como manija.
- Para desconectarlo, coloque todos los controles en la posición "OFF", luego desenchúfelo de la toma de corriente.
- NUNCA haga funcionar el aparato con las aberturas de aire bloqueadas. Mantenga las aberturas libres de pelusas, cabellos, etc.
- Use cuidado las superficies calientes. Puede causar quemaduras graves. No lo use en áreas de la piel sensible o en presencia de mala circulación. El uso del calor sin supervisión por niños o personas con incapacidades puede ser peligroso.

## GUARDE ESTAS INSTRUCCIONES

**Precaución— Sírvase leer todas las instrucciones cuidadosamente antes de usar este aparato.**

- Este producto no está diseñado para uso médico. Está diseñado sólo para proporcionar un masaje de lujo.
- Consulte con su médico antes de usar este producto si:
  - Usted está en embarazo
  - Lleva puesto un marcapasos
  - Tiene cualquier pregunta sobre su salud
- No recomendado para uso por personas con diabetes.
- NUNCA deje el aparato sin supervisión, especialmente si hay niños presentes.
- NUNCA cubra el aparato cuando esté en funcionamiento.
- NO use la función de masajes por más de 60 minutos a la vez.
- El uso extensivo podría causar calentamiento excesivo y acortar la vida útil del producto. Si esto ocurre, discontinúe el uso y permita que se enfríe la unidad antes de usarla nuevamente.
- NUNCA use este producto directamente sobre áreas hinchadas o inflamadas o sobre erupciones de la piel.
- No use este producto como un sustituto de la atención médica.
- NO use este producto antes de acostarse. El masaje tiene un efecto estimulante y puede demorar el sueño.
- Este producto nunca debe usarlo ningún individuo que sufra de cualquier enfermedad física que podría limitar la capacidad del usuario para utilizar los controles.
- Este producto no debe ser usado NUNCA por individuos que padezcan algún tipo de enfermedad que pueda limitar o inhibir totalmente la capacidad del usuario de sentir o tener cualquier sensación en la parte del cuerpo donde está siendo usado el producto.
- Esta unidad no debe ser usada por niños sin la supervisión de un adulto.

**Observación importante:**  
**Si usted experimenta algún tipo de distorsión o interferencia de recepción de radio o televisión cuando enciende la unidad (ON), apague inmediatamente la unidad. Espere unos segundos antes de encender la unidad; la distorsión o interferencia deberían ser eliminadas.**

## Instrucciones de Ensamblaje/ Componentes:

1. Retire con cuidado todo el contenido del paquete y examine la producto para asegurarse que todos los componentes del sillón reclinable, están presentes. Estos deben incluir (figura 1):

- Derecho reposabrazos con bolsillo lateral de control manual (A)
- Izquierda apoyabrazos laterales (B)
- Los travesaños (C) y (D)
- Copa del soporte (E)
- Volver y los marcos de la pierna con el deslizamiento de las tapas (F) (G)
- Pequeñas tuercas y arandelas (8) (H)
- Tornillos grandes (8) (I)
- Llave Allen (J1)
- Abra la llave final (J2)
- Masaje estera con control manual adjunto (K)
- apoyo para la cabeza desmontable (L)
- Adaptador de CA (M)

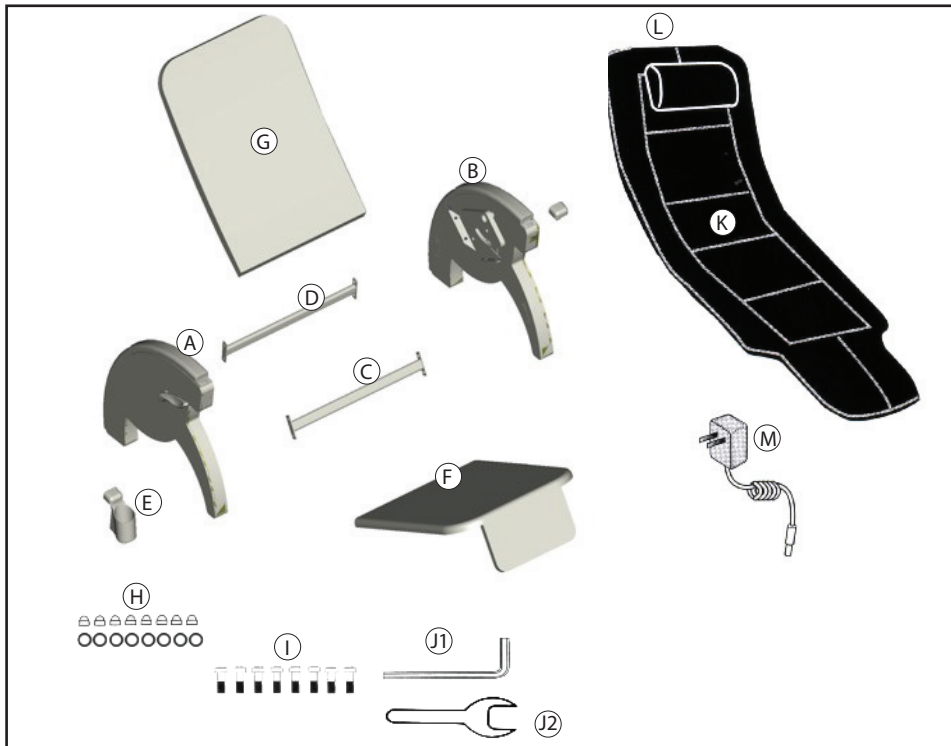


Figura 1

2. Ensamble Base Presidente:

- Fije los dos travesaños (figura 2) para el reposabrazos de la derecha, se pongan en venta números correspondientes, e insertar los pernos grandes. Apriete parcialmente con Una llave Allen.
- Fije los dos travesaños a izquierda apoyabrazos laterales, coincidiendo con las correspondientes cartas, e insertar los pernos grandes (figura 3). Apriete parcialmente con la llave Allen. Póngase de pie base.



Figura 2

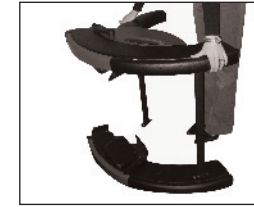


Figura 3

3. Coloque un marco posterior a la Base:

- Colocar el respaldo de la silla en el marco con las correas que enfrenta la silla (figura 4).
- Alinear la parte posterior con los tornillos de gran tamaño en el marco.
- Coloque una arandela y tuerca en cada perno para asegurar la vuelta Marco a la Base Presidente. Use la llave para apretar parcialmente (Figuras 5A y 5B).



Figura 4



Figura 5A



Figura 5B

#### 4. Seat Adjuntar / soporte del bastidor a la base:

- Mueva la silla en la espalda y mueva el asiento en su lugar. Lugar en el bastidor con las correas hacia la parte posterior de la silla (figura 6).



Figura 6

- Alinee el asiento mediante la inserción de los pernos grandes en el marco.
- Coloque la arandela y tuerca en cada perno para fijar el marco del asiento a la Presidente Base. Use la llave para apretar parcialmente (figura 7).

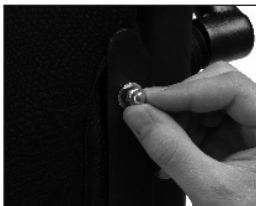


Figura 7

- Póngase de pie silla y se ajustan para que la base esté nivelada. Apriete por completo todas las tuercas y los pernos ahora (figura 8).



Figura 8



Figura 9



Figura 10



Figura 11



Figura 12

#### 5. Masaje Añadir Cojín:

- Colocar el bolsillo superior de la almohadilla de masaje sobre la parte superior de la espalda marco (figura 9).
- Deslice el compartimento inferior sobre el armazón del pie levantando el reposapiés (Gráfico 10).
- Suave por el cojín de masaje y hacerlo a ras con el marco (Figura 11).
- La almohada puede cambiar de posición o totalmente eliminadas mediante el ajuste del correa en la parte posterior de la silla (figura 12).

#### 6. Acabado Detalles:

- Retire todos letra y el número de pegatinas.
- Para añadir el soporte de vaso, retire la tapa T-bloque e inserte la copa ya sea titular en el apoyabrazos (figuras 13A y 13B).
- Introducir el cable de poder y control de la mano por la parte posterior del marco. Asegúrese de que los cables no estén dobladas.
- Conecte el cable de alimentación al adaptador y guarde el mando a mano en el bolsillo en el lado derecho.

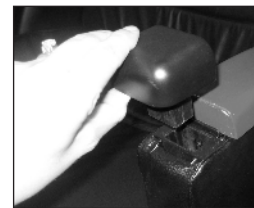


Figura 13A



Figura 13B

## Instrucciones para el uso del sillón reclinable Inversion Massage

Su sillón reclinable Inversion Massage está diseñado para brindarle relajación en una variedad de posiciones utilizando las palancas de bloqueo fácil a los lados de los brazos. La posición ideal para una relajación óptima es una en la cual los pies estén por encima del corazón.

**NOTA: El diseño del sillón reclinable Inversion Massage tiene un límite de peso de 300 libras (136 kg). Las personas que excedan este peso corporal no deben usar este sillón reclinable.**

- Antes de sentarse en el sillón reclinable Inversion Massage, asegúrese de que está en la posición completamente derecha soltando las palancas y halando el espaldar hacia adelante hasta que llegue al tope.
- Bloquee el sillón reclinable en la posición derecha halando las palancas atrás hacia su cabeza.
- Siéntese en el sillón, desbloquear palancas, empujando hacia adelante y recuéstese hacia atrás despacio. Sentarse lo más atrás posible en el sillón le hará más fácil reclinarse. Para ajustar el ángulo del sillón, sujétese de los brazos y recuéstese hacia atrás o hacia adelante hasta que alcance la posición deseada. Bloquee la posición tirando de las palancas hacia atrás hacia su cabeza.
- Puede levantar el apoyapiés tirándolo hacia arriba. Cada vez que el sillón adopte una posición determinada hará un clic. Para bajar el apoyapiés, levántelo hasta que se detenga y luego oprima de nuevo hacia abajo en dirección al piso.
- Antes de levantarse del sillón reclinable Inversion Massage, asegúrese de devolverlo a su posición completamente derecha y de bloquearlo en esa posición.
- Póngase de pie utilizando los brazos como apoyo.

Consejo: Para ayudar a reclinarse, levante despacio las manos arriba de su cabeza y recuéstese. Bloquee en la posición deseada con las palancas de bloqueo fácil. Para sentarse derecho, desbloquee las palancas y mueva las manos despacio hacia sus rodillas mientras se inclina levemente hacia adelante. Esto regresará el sillón reclinable a su posición completamente derecha.

## Instrucciones del adaptador de corriente

Conecte la ficha del adaptador al receptáculo de corriente del almohadón masajeador, ubicado en el lado derecho del almohadón. Una vez introducido, enchufe el otro extremo a un tomacorriente de CA. Use únicamente el adaptador de CA eléctrica proporcionado con esta unidad.

## Información del adaptador de CA

Su almohadón masajeador se alimenta con un adaptador de CA doméstica normal adjunto. Use únicamente el adaptador de CA doméstica proporcionado ya que otros adaptadores que parezcan similares pueden causar daño irreparable a la unidad y anularán su garantía.

## Apagado automático

El sillón reclinable Inversion Massage ha sido diseñado para su comodidad y seguridad. Como precaución especial contra la posibilidad de quedarse dormido mientras se está usando esta unidad, o de dejarla prendida mientras está todavía activa, ésta ha sido programada para que deje de funcionar a los 60 minutos después de haber recibido el último mando. Cada vez que cambie las funciones de masajes, el cronómetro volverá a cero. Esta característica especial no debe ser considerada un sustituto del apagado. Siempre recuerde apagar su unidad cuando no la esté usando.

### Atención:

**Para proteger aún más su unidad:** Cuando la función de calor se deja encendida, ésta se apaga automáticamente después de 15 minutos.

**Atención:  
El calor  
funciona sólo  
cuando la  
función de  
masaje es  
activada**



### Botón de encendido

Para encender las funciones de masaje, presione primero el botón POWER (encendido). El indicador LED se iluminará y confirmará su selección. Las funciones de masaje pueden activarse oprimiendo los botones apropiados. Para apagar las funciones de masaje, simplemente presione nuevamente el botón y el indicador LED se apagará.

### Calor

Con este botón se activa un calor relajante en la zona baja de la espalda. Para activar el calor, primero encienda la función de masaje. La luz del LED se encenderá para indicar que el calor está encendido. Para apagar el calor, simplemente presione el botón una vez más.

NOTA: Cuando seleccione la característica de calor con acción masajeadora, habrá un leve descenso en la fuerza de acción del masaje. Esto es perfectamente normal y no se debe interpretar como un defecto.

### Adaptadores de energía

El sillón reclinable Inversion Massage se alimenta por medio de un adaptador doméstico regular de 120 voltios de CA.

Use únicamente el adaptador proporcionado.

**Nota:** La función de calor no funcionará a menos que se active la función de masaje.

### Estilos de masaje

El sillón reclinable Inversion Massage le ofrece 8 estilos de masaje diferentes que pueden ser fácilmente seleccionados oprimiendo el botón deseado. Puede moverse de un estilo a otro simplemente presionando el botón para cada estilo deseado. Las luces LED se encenderán indicando su selección. Si oprime nuevamente el mismo botón la selección actual se apagará. Puede personalizar aún más su masaje localizando zonas del cuerpo y variando la velocidad y/o intensidad dentro de cada estilo.

**Todos los motores:** Activa los 12 motores para experimentar un masaje total

**Aleatoria:** Transmite pulsaciones en las áreas que usted selecciona en una secuencia aleatoria

**Hacia arriba y hacia abajo:** Las pulsaciones viajan por su cuerpo hacia arriba y hacia abajo

**De un lado a otro:** La acción corre de izquierda a derecha y viceversa

**Golpeteos:** Aplicaciones de masaje fuertes y vigorizantes

**Zig Zag:** Las pulsaciones de masaje se mueven en un estimulante patrón de "Z"

**Dentro y fuera:** Explosiones de masaje se irradian hacia adentro y hacia afuera del centro

**Mezcla:** Combina todos los estilos mencionados anteriormente para lograr una suprema sorpresa en cuanto a masajes

### Botones de masaje localizado

Masaje directo en áreas específicas: cuello/hombros, espalda, parte baja de la espalda, nalgas, muslos. Personalice su masaje eligiendo un área específica o cualquier combinación de áreas. Para personalizar su masaje, oprima cualquiera de los 6 botones de zona y el LED correspondiente se encenderá. Para anular la selección, simplemente vuelva a presionar el botón y las luces LED correspondientes se apagaran.

### Velocidad del Masaje

Elija la velocidad de las pulsaciones del masaje dentro de cada estilo de masaje. Si oprime el botón de velocidad de masaje, aumenta la velocidad de baja, a media, a alta. La luz del LED le indicará la velocidad seleccionada. Para disminuir la velocidad de alta a baja, simplemente presione nuevamente el botón.

### Intensidad del Masaje

Elija la intensidad de su masaje. El sillón reclinable Inversion Massage le ofrece tres opciones: baja, media y alta. Oprima el botón de fuerza para aumentar la intensidad de baja, a media y alta. La luz del LED le indicará la intensidad seleccionada. Para disminuir la intensidad de alta a baja, simplemente presione nuevamente el botón.

### Botón de Demostración

Para una breve demostración de las características sillón reclinable Inversion Massage, presione el botón de demostración (DEMO). La unidad completará un ciclo de cada estilo de masaje en cada uno de los tres niveles de intensidad. Una vez completada, la unidad se apaga automáticamente.





## Mantenimiento

**Para guardar:** Coloque el control manual dentro del bolsillo correspondiente, que está colgado del apoyabrazos derecho. Evite el contacto con bordes filosos u objetos punzantes que puedan dañar o perforar la tela.

**Para limpiar:** Desconecte el almohadón masajeador de la fuente de energía antes de limpiar. El almohadón masajeador y el control manual pueden limpiarse únicamente con un paño suave húmedo.

- El almohadón masajeador no se puede lavar a máquina y no debe entrar en contacto con agua ni ningún otro líquido.
- Para limpiar, no sumerja en ningún líquido.
- Nunca utilice limpiadores abrasivos, cepillos, gasolina, querosén, barniz o diluyente de pintura para limpiar.
- No intente reparar su sillón reclinable Inversion Massage. No hay piezas que necesiten servicio. Por servicio, envíe la unidad a la dirección del servicio HoMedics que se detalla en la sección de garantía.

**Marco:** El marco debe verificarse periódicamente para asegurarse de que los tornillos estén apretados. Si el marco está flojo, ajuste los tornillos con las herramientas proporcionadas.

El sillón reclinable Inversion Massage y el almohadón masajeador están diseñados para aplicaciones interiores solamente. El uso de este producto para aplicaciones exteriores puede causar daño irreparable y anular su garantía.

Este dispositivo cumple con la Parte 15 de las Normas FCC. El funcionamiento está sujeto a las dos condiciones siguientes: (1) este dispositivo no puede causar interferencia dañina y (2) este dispositivo debe aceptar cualquier interferencia recibida, incluyendo interferencia que pueda causar un funcionamiento no deseado.

**Nota:** el fabricante no se responsabiliza por ninguna interferencia de radio o TV causada por modificaciones no autorizadas a este equipo. Tales modificaciones podrían anular la autoridad del usuario para operar el equipo.

**Nota:** este equipo ha sido probado y se ha determinado que cumple con los límites de un dispositivo digital Clase B de acuerdo con la Parte 15 de las Normas FCC. Estos límites están diseñados para proporcionar protección razonable contra la interferencia dañina en una instalación residencial. Este equipo genera, usa y puede emitir energía de radiofrecuencia y, si no se instala y utiliza de acuerdo con las instrucciones, puede causar interferencia dañina a las comunicaciones de radio. Sin embargo, no existe garantía de que la interferencia no ocurrirá en una instalación en particular. Si este equipo causa interferencia dañina a la recepción de radio o televisión, lo cual puede determinarse encendiendo y apagando el equipo, se anima al usuario a intentar corregir la interferencia a través de una o más de las siguientes medidas:

- Cambie la orientación o ubicación de la antena de recepción.
- Aumente la separación entre el equipo y el receptor.
- Conecte el equipo a un tomacorriente en otro circuito, donde no esté conectado el receptor.
- Consulte al distribuidor o a un técnico de radio/TV experimentado para obtener ayuda.



Apoyacabeza Ajustable

Colchoneta Masajeadora

12 Motores de Masaje

Apoyavaso

Realces de Apoyabrazos en Madera Fina

Control remoto maual con bolsillo para guardarlo

Marco de diseño ágil en acero

Palancas de bloqueo fácil

Apoyapiés Ajustable