

ONE YEAR LIMITED WARRANTY

(Valid in USA only)

HoMedics, Inc., guarantees this product free from defects in material and workmanship for a period of one year from the date of original purchase, except as noted below.

This HoMedics product warranty does not cover damage caused by misuse or abuse; accident; the attachment of any unauthorized accessory; alteration to the product; or any other conditions whatsoever that are beyond the control of HoMedics. This warranty is effective only if the product is purchased and operated in the USA. A product that requires modification or adaptation to enable it to operate in any country other than the country for which it was designed, manufactured, approved and/or authorized, or repair of products damaged by these modifications is not covered under warranty. HoMedics shall not be responsible for any type of incidental, consequential or special damages. All implied warranties, including but not limited to those implied warranties of fitness and merchantability, are limited in the total duration of one year from the original purchase date.

To obtain warranty service on your HoMedics product, either hand deliver or mail the unit and your dated sales receipt (as proof of purchase), postpaid, along with check or money order in the amount of \$5.00 payable to HoMedics, Inc. to cover handling.

Upon receipt, HoMedics will repair or replace, as appropriate, your product and return it to you, postpaid. If it is appropriate to replace your product, HoMedics will replace the product with the same product or a comparable product at HoMedics' option. Warranty is solely through HoMedics Service Center. Service of this product by anyone other than HoMedics Service Center voids warranty.

This warranty provides you with specific legal rights. You may have additional rights which may vary from state to state. Because of individual state regulations, some of the above limitations and exclusions may not apply to you.

For more information regarding our product line in the USA, please visit: www.homedics.com

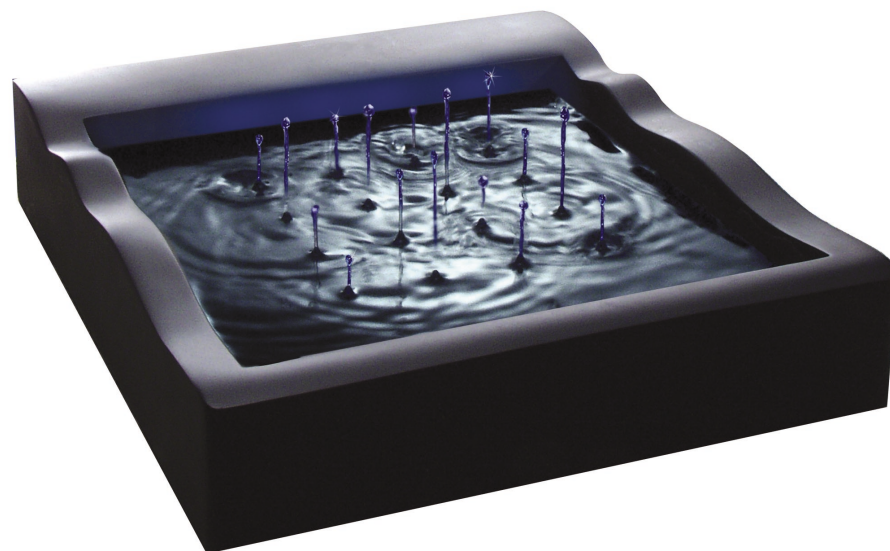
© 2003 HoMedics, Inc. and its affiliated companies, all rights reserved. HoMedics® is a registered trademark of HoMedics, Inc. and its affiliated companies. AquaScape™ is a trademark of HoMedics, Inc. and its affiliated companies. All rights reserved.

IBAQDANC-A

ILLUMINATED WATER ART

AQUASCAPE™

DANCING SHOWERS



Instruction Manual and Warranty Information

AQ-DANC

1 year
limited warranty

Mail To:

**HoMedics
Service Center Dept. 168
3000 Pontiac Trail,
Commerce Township,
MI 48390**

**Email:
cservice@homedics.com**

Create an oasis of light & tranquility

Thank you for purchasing the AquaScape dancing showers water art. This, like the entire line of HoMedics products, is built with high-quality craftsmanship to provide you years of dependable service. We hope you find it to be the finest product of its kind.

IMPORTANT SAFEGUARDS

WHEN USING ELECTRICAL PRODUCTS, ESPECIALLY WHEN CHILDREN ARE PRESENT, BASIC SAFETY PRECAUTIONS SHOULD ALWAYS BE FOLLOWED, INCLUDING THE FOLLOWING:

READ ALL INSTRUCTIONS BEFORE USING.

DANGER—TO REDUCE THE RISK OF ELECTROCUTION:

- Always unplug the appliance from the electrical outlet immediately after using and before cleaning.
- Do not reach for an appliance that has fallen into water. Unplug it immediately.
- Do not place or store appliance where it can fall or be pulled into a tub or sink. Do not place in or drop into water or other liquid.
- To reduce the risk of electric shock, connect only to a 120 volt outlet. Do not connect to any voltage other than that shown on the pump.
- Do not pump flammable liquids through the water pump.
- Do not use water above 90 degrees Fahrenheit.

WARNING - TO REDUCE THE RISK OF BURNS, ELECTROCUTION, FIRE OR INJURY TO PERSONS:

- An appliance should never be left unattended when plugged in. Unplug unit from outlet when not in use and before putting on or taking off parts or attachments.
- Close supervision is necessary when this appliance is used by or near children, invalids or disabled persons.
- Use this appliance only for its intended use as described in this manual. Do not use attachments not recommended by HoMedics, specifically any attachment not provided with the unit.
- Do not operate this appliance if it has a damaged cord or plug, if it is not working properly, if it has been dropped or damaged, or the cord has been dropped into water. Return it to the HoMedics Service Center for examination and repair.
- Keep cord away from heated surfaces.
- Never drop or insert any object into any opening unless otherwise directed in this instruction manual.

- Do not operate where aerosol spray products are being used or where oxygen is being administered.
- Do not carry this appliance by supply cord or use the cord as a handle.
- To disconnect, remove plug from outlet.
- This appliance is designed for indoor use only. Do not use outdoors.

SAVE THESE INSTRUCTIONS

Caution: Please read all instructions carefully before operating.

- If you have any concerns regarding your health, consult your doctor before using this product.
- Never leave appliance unattended while operating the unit, especially if children are present.
- Never cover unit when it is in operation.
- Connect the pump only to a 120 volt A/C household outlet as indicated on the pump label.
- Always keep the cord away from high temperature and fire.
- Unplug the water pump from the power source before cleaning, performing maintenance, and disassembling.
- Product must be placed on a water proof, level and sturdy table or surface before using.
- Never let the unit run without water. This will shorten the life of the pump.
- It is recommended to use distilled water to help keep the jets clear of particles; however tap water may be used.
- The electrical cord of this product cannot be replaced. If it sustains damage, you must stop using the appliance immediately and return the pump to the Homedics Service Center for examination and repair. (See the warranty section for Homedics address.)
- Disconnect the appliance from the outlet before putting hands into water.

Dancing Shower Features

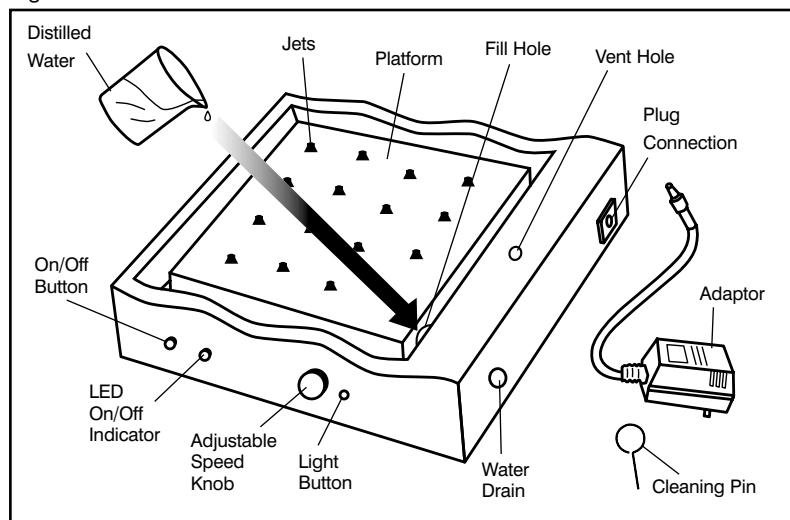
- 16 programmed water jets propel water upwards in a synchronized dancing pattern
- Adjustable speed control increases and decreases the frequency of the droplets
- Special effects lighting illuminates the dancing droplets
- Innovative, artistic design enhances the environment at home or work
- Fountain measures 12" long x 10.5" wide x 2.25" tall

Assembly and Instructions for Use:

1. Carefully remove all contents from packaging and inspect the product to make sure all components have been received (Fig. 1).
2. Place unit on a waterproof, sturdy, level surface.

3. Fill the unit with **distilled water** by pouring water in the fill hole (Fig. 1). Add enough distilled water (approximately 2 cups/475 mL) so the platform is submerged and the jets are still above the water (the jets should be the only area not covered in water, DO NOT submerge the jets). Note: The fill hole is covered by a filter to keep particles out of the fountain (Fig. 2). Keep this cover on to keep the unit clean. Periodically remove the filter and rinse to remove any impurities.
4. Wait one minute and recheck water level. Water slowly fills the tubes inside the unit therefore it is important that you wait for water to fill the internal tubes to determine the accurate water level. If necessary, add more water.
5. Insert the adaptor into the unit at the plug connector (Fig. 1). Connect the adaptor plug into a 120V AC household electrical outlet.
6. Turn unit on by pushing On/Off button (Fig. 1). A corresponding red LED will light to indicate unit is on. **NOTE:** It may take up to one minute for water to come out. If after two minutes there is no water coming from the jets, turn the unit off and gently rock the unit back and forth, alternately raising the left side of the unit about an inch, then the right side. Turn unit back on.
7. To turn on the blue special effects lighting push the On/Off light button (Fig.1). Push button again to turn off.
8. To adjust the frequency of the droplets turn the adjustable speed knob (Fig. 1). To decrease the speed turn the knob to the left, to increase the speed turn the knob to the right.
9. To drain water unscrew the water drain stopper (Fig.1) and pour water into a sink. **NOTE:** This unit is designed so that it can run continuously and the platform must be completely submerged in water at all times. If all of the jets are not working check the water level to make sure the platform is submerged. Add more water if necessary. It is recommended not to leave any electrical appliance such as this one unattended while it is still running.

Figure 1



Caution:
All servicing of this product must be performed by authorized HoMedics service personnel only.

Maintenance

- **To keep water clean:**
 Change the water at least once a week and clean the product according to the water condition. Fill the unit only with distilled water. Keeping the water clean prevents the water from becoming sticky and from forming micro-organisms. Periodically remove the filter and rinse to remove any impurities.
- **Keeping the water at an optimum level:**
 Add distilled water periodically to keep water level at an optimum level to avoid shortening the life of the unit. **NOTE:** Never let the unit run without water. This will also shorten the life of the unit.
- **Keeping the filter clean:**
 About every three months, remove the filter and hold it under tap water. Run tap water through the filter from the bottom and from the top of the filter.
- **Keeping the vent hole and water jets clean:**
 Check that the small vent hole (Fig. 1) is clear and unblocked. Make sure there are no water droplets covering the vent hole. Periodically gently push the cleaning pin into the vent hole to dislodge any dust or dirt. To keep the water jets free from any blockage periodically gently push the cleaning pin into the jet holes.
- **Storage:**
 Unplug the unit from the electrical outlet, empty the water and store in a cool, dry place. Snap the cleaning pin into place on the bottom of the unit (Fig.3).

Troubleshooting

- **If the unit gurgles, spews, or “burps”:**
 Check the water level to make sure the unit has enough water to function.
- **Obtaining a desired water level:**
 Check the water level daily in the first week to measure the rate of evaporation. Refill with water as needed.
- **If all of the jets are not working there may be some build-up:**
 Push the cleaning pin provided into the jet holes and vent hole (Fig.1) to clear any blockage. If they still aren't working check the water level.

Figure 2

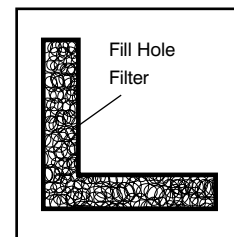


Figure 3

