

GARANTÍA LIMITADA POR UN AÑO

HMDX AUDIO vende sus productos con la intención de que no tengan defectos de fabricación ni de mano de obra por un plazo de un año a partir de la fecha de compra original, con las siguientes excepciones. HMDX AUDIO garantiza que sus productos no tendrán defectos de material ni de mano de obra bajo condiciones de uso y servicio normales. Esta garantía se extiende únicamente a consumidores y no a distribuidores.

Para obtener servicio para su producto HMDX AUDIO, envíe por correo el producto y su recibo de compra fechado (como comprobante de compra), con franqueo pago, a la siguiente dirección:

HMDX AUDIO Consumer Relations
Service Center Dept. 168
3000 Pontiac Trail
Commerce Township, MI 48390

No se aceptarán pagos contra entrega.

HMDX AUDIO no autoriza a nadie, incluyendo, pero sin limitarse a, distribuidores, posteriores consumidores compradores del producto a un distribuidor, o compradores remotos, a obligar a HMDX AUDIO de forma alguna más allá de las condiciones aquí establecidas. La garantía de este producto no cubre daños causados por uso inadecuado o abuso, accidente, conexión de accesorios no autorizados, alteración del producto, instalación inadecuada, reparaciones o modificaciones no autorizadas, uso inadecuado de la fuente de energía/electricidad, cortes de energía, caída del producto, funcionamiento incorrecto o daño de una pieza de funcionamiento debido al no cumplimiento del mantenimiento recomendado por el fabricante, daños durante el transporte, robo, descuido, vandalismo, condiciones climáticas, pérdida de uso en el periodo durante el cual el producto está en una instalación de reparación o a la espera de piezas o reparación, o cualquier otra condición, sin importar cual sea, que se encuentre fuera del control de HMDX AUDIO.

Esta garantía es válida únicamente si el producto es comprado y operado en el país en el cual se compró el producto. Un producto que requiera modificaciones o adaptación para habilitar su funcionamiento en cualquier país que no sea aquél para el que fue diseñado, fabricado, aprobado y/o autorizado, o la reparación de productos dañados por estas modificaciones no están cubiertos bajo esta garantía.

LA GARANTÍA AQUÍ ESTABLECIDA SERÁ LA ÚNICA Y EXCLUSIVA GARANTÍA. NO HABRÁ NINGUNA OTRA GARANTÍA EXPRESA NI IMPLÍCITA, INCLUYENDO NINGUNA GARANTÍA DE COMERCIALIZACIÓN O APTITUD NI NINGUNA OTRA OBLIGACIÓN POR PARTE DE LA COMPAÑÍA CON RESPECTO A PRODUCTOS CUBIERTOS POR ESTA GARANTÍA. HMDX AUDIO NO TENDRÁ RESPONSABILIDAD ALGUNA POR NINGUN DAÑO INCIDENTAL, CONSECUENTE NI ESPECIAL. BAJO NINGUN CONCEPTO ESTA GARANTÍA REQUERIRÁ MÁS QUE LA REPARACIÓN O CAMBIO DE ALGUNA PIEZA O PIEZAS QUE SE HALLEN DEFECTUOSAS DENTRO DEL PERIODO DE VIGENCIA DE ESTA GARANTÍA. NO SE EFECTUARÁN REEMBOLSOS. SI NO HAY PIEZAS DE REPUESTO DISPONIBLES PARA LOS MATERIALES DEFECTUOSOS, HMDX AUDIO SE RESERVA EL DERECHO DE REALIZAR SUSTITUCIONES EN VEZ DE REPARAR O CAMBIAR.

Esta garantía no se extiende a la compra de productos abiertos, usados, reparados, embalados otra vez y/o abiertos y vueltos a cerrar, incluyendo entre otras cosas la venta de dichos productos en sitios de remate por Internet y/o la venta de dichos productos por revendedores o mayoristas. Todas y cada una de las garantías cesarán y terminarán inmediatamente con respecto a cualquier producto o pieza del mismo que estén reparados, cambiados, alterados o modificados sin el consentimiento previo explícito y por escrito de HMDX AUDIO.

Esta garantía le proporciona derechos legales específicos. Es posible que usted tenga derechos adicionales que pueden variar de un país a otro. Debido a las regulaciones de ciertos países, es posible que algunas de las limitaciones y exclusiones no se apliquen en su caso.

Por más información con respecto a nuestra línea de productos en los EE.UU., visítenos en:
www.hmdxaudio.com

HMDX AUDIO Service Center

1.800.466.3342

8:30 – 5:00 p.m. (EST) M – F

Dirección postal:

HMDX AUDIO

Consumer Relations

Service Center Dept. 168

3000 Pontiac Trail

Commerce Township, MI

48390

Correo electrónico:

cservice@hmdxaudio.com

Speaker Dock for iPod



Instruction Manual and
Warranty Information

HMDX-S10

Thank you for purchasing the HMDX S10 iPod Speaker. This, like the entire HMDX product line is built with high-quality craftsmanship to provide you years of dependable service. We hope you will find it to be the finest product of its kind.

IMPORTANT SAFETY INSTRUCTIONS:

When using an electrical appliance, basic precautions should always be followed, including the following:

READ ALL INSTRUCTIONS BEFORE USING

DANGER - To reduce the risk of electric shock:

- Always unplug the appliance from the electrical outlet immediately after using and before cleaning.
- Do not reach for an appliance that has fallen into water. Unplug it immediately.
- Do not place or store appliance where it can fall or be pulled into a tub or sink.
- Do not place in or drop into water or other liquid.

WARNING - To reduce the risk of burns, fire, electric shock or injury to persons:

- Close supervision is necessary when this appliance is used by or near children, invalids or disabled persons.
- Use this appliance only for its intended use as described in this manual. Do not use attachments not recommended by HMDX; specifically any attachments not provided with the unit.
- Never operate this appliance if it has a damaged cord, plug, cable or housing. If it is not working properly, if it has been dropped or damaged, return it to HMDX Service Center for examination and repair.
- Keep cord away from heated surfaces.
- Never drop or insert any object into any opening.
- Do not operate where aerosol (spray) products are being used or where oxygen is being administered.
- Do not carry this appliance by power cord or use cord as handle.
- To disconnect, remove plug from outlet.
- This appliance is designed for indoor use only. Do not use outdoors.
- Only set on dry surfaces. Do not place on surface wet from water or cleaning solvents.

Caution: All servicing of this product must be performed by authorized HMDX Service Personnel only.

Caution – Please read all instructions carefully before operating.

- Never leave the appliance unattended, especially if children are present.
- Never cover the appliance when it is in operation.
- This unit should not be used by children without adult supervision.
- Always keep the cord away from high temperature and fire.
- Do not lift, carry, hang, or pull the product by the power cord.
- If the adaptor sustains damage, you must stop using this product immediately and contact the HMDX Service Center. (See the warranty section for the HMDX address.)

SAVE THESE INSTRUCTIONS



Figure 1

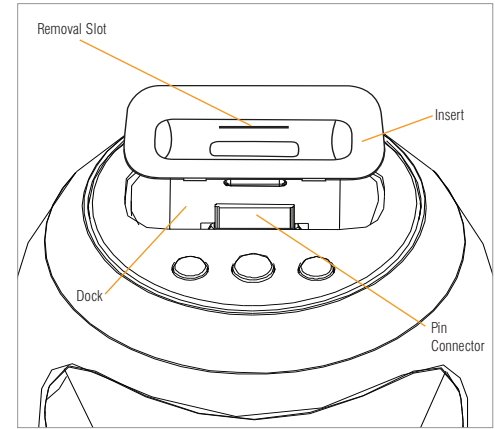


Figure 2

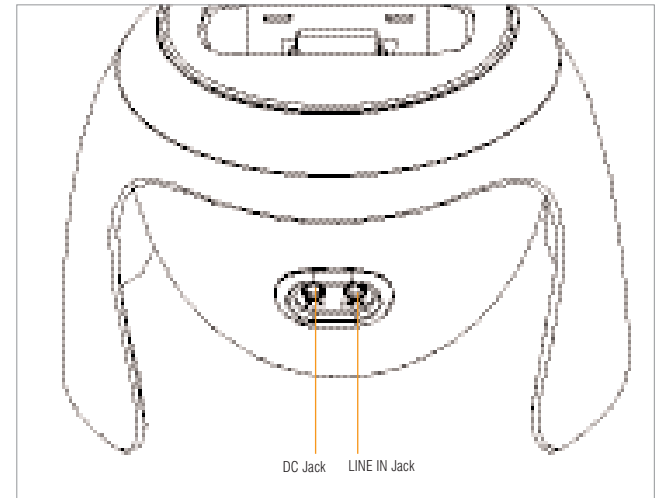


Figure 3

Getting Started

1. Attach the DC adaptor to the DC Jack located on the back of the unit.
(Fig. 3)
2. Plug the cord into 120V household outlet.

Charging your iPod™

Select the correct insert for your particular iPod model from the chart below:

Insert Label	iPod Model
nano-3	iPod nano 3rd Generation
nano-4	iPod nano 4th Generation
video 30G	5th Gen iPod (30GB), iPod Classic (80GB & 120 GB), iPod Touch
video 60G	5th Gen iPod (60GB & 80GB), iPod Classic (160GB)
touch-2	iPod touch, 2nd Gen

When you want to connect a different size iPod, remove the insert from the dock and replace with the correct size insert. To remove dock insert, place fingernail in slot on insert (Fig. 2) and gently pull up. You must always use the appropriate size insert for your iPod. If you do not find the correct matching dock insert listed above to your iPod model, you may use the dock adapter insert that was included with your original iPod purchase or call HMDX AUDIO Service Center at 1.800.466.3342 to purchase one.

Note: Make sure you are using the correct insert for your iPod and that it is properly placed in the dock of the unit. Failure to do so may damage your iPod.

WARNING: INSERTS AND PIN CONNECTOR ARE DESIGNED FOR APPLE IPOD MUSIC PLAYERS ONLY. ATTEMPTING TO ATTACH OR FORCE ANY NON-IPOD MUSIC PLAYER INTO ENCLOSED INSERTS OR ONTO THE PIN CONNECTOR WILL **DAMAGE AND EVEN DESTROY YOUR DEVICE.**

1. Before you begin, remove your iPod from its case or 'skin'. Place insert in dock, being sure that the two plastic tabs face the front of the unit. Press insert into place, ensuring it is firmly placed in the dock (Fig. 2). Carefully place your iPod into the docking area so that the pin connector in the dock is fully connected to the pin socket on the bottom of your iPod (Fig. 4). You will hear a "chirp", indicating that your iPod is properly connected.
2. Your iPod will begin charging, until fully charged.
Note: Your iPod will charge even if the POWER button is turned off. The unit only needs to be plugged in for the iPod to charge.
3. To remove/replace an insert, first remove your iPod then insert fingernail in slot on insert (Fig. 2), and gently pull up.

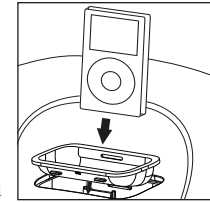


Figure 4

Listening to Your iPod

1. Press the POWER button on the top of the unit to turn it on (Fig. 1).
2. Press the PLAY/PAUSE button on your iPod to pause play; press again to resume play.
3. Press the 'V' or 'Λ' button on the unit to adjust volume (Fig. 1).
4. Press the ◀◀ or ▶▶ on your iPod to go to the next or previous track.
5. To turn off the unit, press the POWER button on the top of the unit. The iPod will continue charging in the dock.

Listening to a non-docking iPod or other portable audio devices

If you are using an iPod without a docking port, other MP3 player, or other portable audio device, you can play it through the unit via the LINE IN jack located on the back of the unit. (Fig. 5)

1. Plug one end of the Connection Cable (included) (Fig. 1) into the headphone or line-out jack on your audio device and the other end of the Connection Cable into the unit's LINE IN jack located on the back of the unit (Fig. 5).
2. Press the POWER button on the unit to turn it on (Fig. 1).
3. Turn on and play external audio device.
4. Press the 'V' or 'Λ' button on the unit to adjust volume (Fig. 1).

Note: You may need to adjust the volume on external device too.

5. To turn unit off, press the POWER button on the back of the unit.

Note: You also need to turn off your external audio device as well.

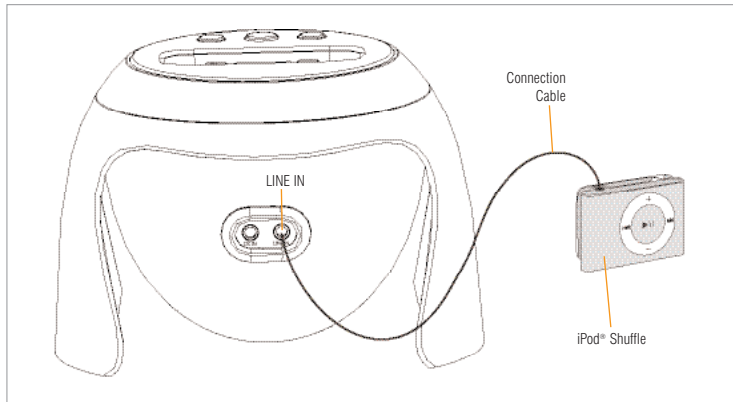


Figure 5

Changing the Colored Faceplates

Attaching Faceplate

1. Choose a faceplate.
2. Place faceplate on top of unit, so 3 notches are lined up.
3. With one hand on top of unit, apply pressure and gently rotate the faceplate clockwise, ensuring all 3 notches lock in place. (Fig. 6)

Removing Faceplate

1. With one hand on top of unit, apply pressure and gently rotate the faceplate ring counterclockwise, releasing all 3 notches from the base of the unit. (Fig. 7)
2. Grasp the faceplate and pull up. Be sure not to force or pull too hard so that the notches do not break.
3. See ATTACHING FACEPLATE for directions on replacing the faceplate.

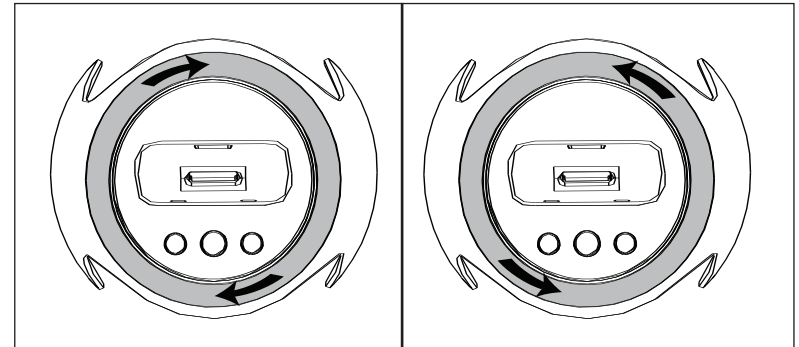


Figure 6

Figure 7

Maintenance

To Store

You may leave the unit on display, or you can store it in its box in a cool, dry place.

To Clean

Use only a soft dry cloth to clean the enclosure of the unit.
NEVER use liquids or abrasive cleaner to clean.

Modifications not authorized by the manufacturer may void user warranty.

Note: This equipment has been tested and found to comply with the limits for a Class B digital device, pursuant to Part 15 of the FCC Rules. These limits are designed to provide reasonable protection against harmful interference in a residential installation. This equipment generates, uses and can radiate radio frequency energy and, if not installed and used in accordance with the instructions, may cause harmful interference to radio communications. However, there is no guarantee that interference will not occur in a particular installation. If this equipment does cause harmful interference to radio or television reception, which can be determined by turning the equipment off and on, the user is encouraged to try to correct the interference by one or more of the following measures:

- Reorient or relocate the receiving antenna.
- Increase the separation between the equipment and receiver.
- Connect the equipment into an outlet on a circuit different from that to which the receiver is connected.
- Consult the dealer or an experienced radio/TV technician for help.

LIMITED ONE YEAR WARRANTY

HMDX AUDIO sells its products with the intent that they are free of defects in manufacture and workmanship for a period of one year from the date of original purchase, except as noted below. HMDX AUDIO warrants that its products will be free of defects in material and workmanship under normal use and service. This warranty extends only to consumers and does not extend to Retailers.

To obtain warranty service on your HMDX AUDIO product, mail the product and your dated sales receipt (as proof of purchase), postpaid, to the following address:

HMDX AUDIO Consumer Relations
Service Center Dept. 168
3000 Pontiac Trail
Commerce Township, MI 48390

No COD's will be accepted.

HMDX AUDIO does not authorize anyone, including, but not limited to, Retailers, the subsequent consumer purchaser of the product from a Retailer or remote purchasers, to obligate HMDX AUDIO in any way beyond the terms set forth herein. This warranty does not cover damage caused by misuse or abuse; accident; the attachment of any unauthorized accessory; alteration to the product; improper installation; unauthorized repairs or modifications; improper use of electrical/power supply; loss of power; dropped product; malfunction or damage of an operating part from failure to provide manufacturer's recommended maintenance; transportation damage; theft; neglect; vandalism; or environmental conditions; loss of use during the period the product is at a repair facility or otherwise awaiting parts or repair; or any other conditions whatsoever that are beyond the control of HMDX AUDIO.

This warranty is effective only if the product is purchased and operated in the country in which the product is purchased. A product that requires modifications or adoption to enable it to operate in any other country than the country for which it was designed, manufactured, approved and/or authorized, or repair of products damaged by these modifications is not covered under this warranty.

THE WARRANTY PROVIDED HEREIN SHALL BE THE SOLE AND EXCLUSIVE WARRANTY. THERE SHALL BE NO OTHER WARRANTIES EXPRESS OR IMPLIED INCLUDING ANY IMPLIED WARRANTY OF MERCHANTABILITY OR FITNESS OR ANY OTHER OBLIGATION ON THE PART OF THE COMPANY WITH RESPECT TO PRODUCTS COVERED BY THIS WARRANTY. HMDX AUDIO SHALL HAVE NO LIABILITY FOR ANY INCIDENTAL, CONSEQUENTIAL OR SPECIAL DAMAGES. IN NO EVENT SHALL THIS WARRANTY REQUIRE MORE THAN THE REPAIR OR REPLACEMENT OF ANY PART OR PARTS WHICH ARE FOUND TO BE DEFECTIVE WITHIN THE EFFECTIVE PERIOD OF THE WARRANTY. NO REFUNDS WILL BE GIVEN. IF REPLACEMENT PARTS FOR DEFECTIVE MATERIALS ARE NOT AVAILABLE, HMDX AUDIO RESERVES THE RIGHT TO MAKE PRODUCT SUBSTITUTIONS IN LIEU OF REPAIR OR REPLACEMENT.

This warranty does not extend to the purchase of opened, used, repaired, repackaged and/or resealed products, including but not limited to sale of such products on Internet auction sites and/or sales of such products by surplus or bulk resellers. Any and all warranties or guarantees shall immediately cease and terminate as to any products or parts thereof which are repaired, replaced, altered, or modified, without the prior express and written consent of HMDX AUDIO.

This warranty provides you with specific legal rights. You may have additional rights which may vary from country to country. Because of individual country regulations, some of the above limitations and exclusions may not apply to you.

For more information regarding our product line in the USA, please visit: www.hmdxaudio.com

©2009 HMDX AUDIO and its affiliated companies, all rights reserved. HMDX AUDIO™ is a registered trademark of HMDX AUDIO and its affiliated companies. All rights reserved. iPod®, iPod nano®, nano® and the iPod® design are trademarks of Apple Inc.

IB-HMDXS10B

Plataforma de Parlante para el iPod



Manual de instrucciones
e Información de garantía

HMDX-S10

1 año de
garantía limitada

Gracias por su compra del Parlante para el iPod HMDX S10. Éste, al igual que toda la línea de productos HMDX, está fabricado con mano de obra de alta calidad para brindarle años de servicio confiable. Esperamos que lo encuentre como el mejor producto de su clase.

IMPORTANTES INSTRUCCIONES DE SEGURIDAD:

Cuando se utiliza un artefacto eléctrico, siempre se deben seguir ciertas precauciones básicas, incluyendo lo siguiente:

LEA TODAS LAS INSTRUCCIONES ANTES DE USAR

PELIGRO - Para reducir el riesgo de choque eléctrico:

- Siempre desenchufe el artefacto del tomacorriente, inmediatamente después de usar y antes de limpiarlo.
- No intente tomar un artefacto que haya caído al agua. Desenchúfelo de inmediato.
- No coloque ni guarde el artefacto en donde pueda caerse o ser tirado en una tina o pileta.
- No lo coloque ni lo deje caer en agua ni en ningún otro líquido.

ADVERTENCIA - Para reducir el riesgo de quemaduras, incendio, choque eléctrico o lesiones a las personas:

- Se requiere una supervisión estricta cuando este artefacto es usado por o cerca de niños, personas minusválidas o incapacitadas.
- Utilice este artefacto sólo para el uso para el cual está diseñado y como se describe en este manual. No use accesorios no recomendados por HMDX, específicamente ningún accesorio no proporcionado con la unidad.
- Nunca haga funcionar este aparato si tiene el cordón, el enchufe, el cable o el armazón dañado. Si no está funcionando adecuadamente, si se ha caído o dañado, envíelo al Centro de servicio de HMDX para que sea examinado y reparado.
- Mantenga el cable alejado de superficies calientes.
- Nunca lo deje caer ni inserte ningún objeto en ninguna abertura.
- No lo haga funcionar donde se utilizan productos de rociado por aerosol o donde se está administrando oxígeno.
- No lleve este artefacto tomado del cable, ni use el cable como manija.

Precaución:
Todo el servicio de este producto debe ser realizado únicamente por Personal de servicio autorizado de HMDX.

- Para desconectarlo, retire el enchufe del tomacorriente.
- Este artefacto está diseñado para uso al interior exclusivamente. No lo use en exteriores.
- Coloque esta unidad sólo sobre superficies secas. No coloque esta unidad sobre superficies mojadas con agua o solventes para limpieza.

Precaución - Lea todas las instrucciones con atención antes de poner en funcionamiento.

- Nunca deje el artefacto sin vigilancia, especialmente si hay niños presentes.
- Nunca cubra el artefacto mientras está en funcionamiento.
- Esta unidad no debe ser usada por niños sin la supervisión de un adulto.
- Mantenga siempre el cordón alejado de temperaturas elevadas y de llamas.
- No levante, lleve, cuelgue ni tire de la unidad tomándola del cable de corriente
- Si el adaptador se daña, debe suspender el uso de este aparato de inmediato y contactar el Centro de servicio de HMDX. (Ver la dirección de HMDX en la Sección de Garantía).

GUARDE ESTAS INSTRUCCIONES

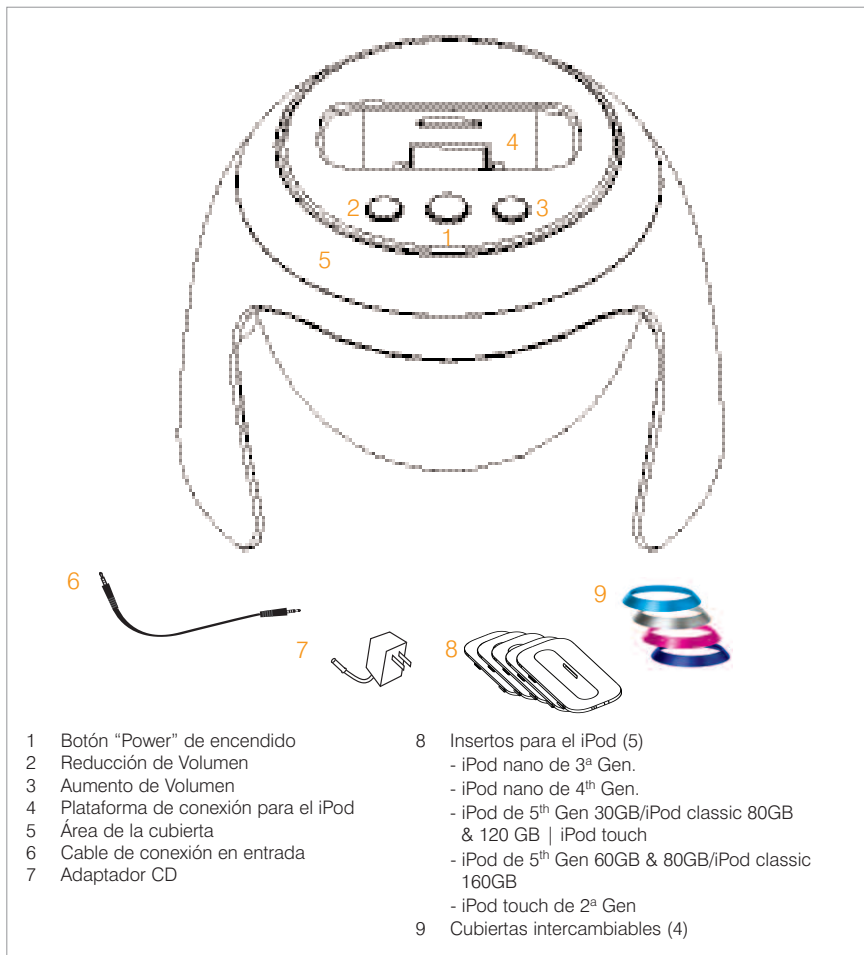


Figura 1

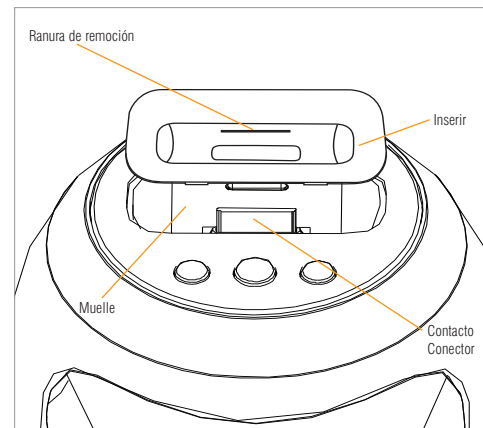


Figura 2

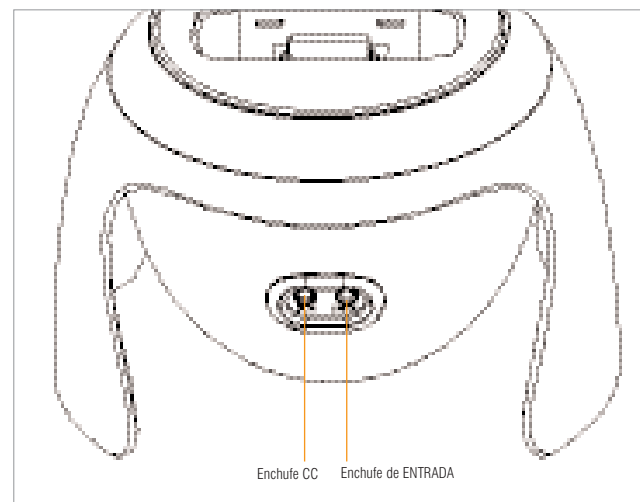


Figura 3

Para Empezar

1. Conecte el adaptador de CD al enchufe de CD ubicado al respaldo de la unidad. (Fig. 3)
2. Enchufe el cable a un tomacorriente doméstico de 120V.

Para cargar su iPod/iPhone™

Seleccione el inserto correcto para su modelo particular de iPod de la tabla de abajo:

Etiqueta del inserto	Modelos de iPod
nano-3	iPod Nano de 3ª Generación
nano-4	iPod Nano de 4ª Generación
video 30G	iPod de 5ª Gen. (30GB), iPod classic (80GB & 120GB), iPod touch
video 60G	iPod de 5ª Gen. (60GB, 80GB), iPod classic (160GB)
touch-2	iPod touch de 2ª Gen

Si desea conectar un iPod de tamaño diferente, retire el inserto del muelle y reemplácelo con el inserto de tamaño correcto. Para retirar el inserto de la plataforma, ponga la uña en la ranura en el inserto (Fig. 2) y hale suavemente hacia arriba.

Use siempre el inserto de tamaño adecuado para su iPod. Si usted no encuentra el inserto de plataforma que corresponde a su modelo de iPod en la lista de arriba, puede usar el inserto para el adaptador de plataforma que fue incluido con su compra de iPod original o llamar el Centro de Servicio de HMDX AUDIO al 1.800.466.3342 para comprar uno.

Nota: Asegúrese de usar el inserto correcto para su iPod y de que esté insertado correctamente en el muelle de la unidad. De no hacerlo así podría dañar su iPod.

ADVERTENCIA: LOS INSERTOS ESTÁN CONCEBIDOS SÓLO PARA EQUIPOS DE MÚSICA IPOD DE APPLE. EL INTENTAR SUJETAR O FORZAR CUALQUIER EQUIPO DE MÚSICA QUE NO SEA IPOD EN LOS INSERTOS INCLUIDO O EN EL CONECTOR DE AGUJA CAUSARÁ EL **DAÑO O LA DESTRUCCIÓN DE SU DISPOSITIVO.**

1. Antes de comenzar, retire su iPod de su caja o cubierta. Coloque el inserto en la plataforma, asegurándose de que las dos lengüetas de plástico queden hacia el frente de la unidad. Presione el inserto en su lugar, asegurándose de que quede firmemente colocado en la plataforma (Fig. 2). Coloque cuidadosamente su iPod en la plataforma de manera que el conector de agujas en la plataforma haga contacto completo con el receptor de agujas en el fondo del iPod (Fig. 4). Usted oír un "chirrido" que indica que su iPod está conectado correctamente.
2. Su iPod comienza a cargarse, hasta quedar completamente cargado.
Atencion: Su iPod se carga aun si el botón POWER está apagado (off). La unidad sólo necesita estar enchufado para que el iPod pueda cargarse.
3. Para retirar/reemplazar un inserto, primero quite el iPod, luego inserte la uña en la ranura en el inserto (Fig. 2), hale suavemente hacia arriba.

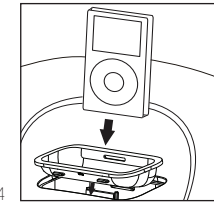


Figura 4

Para escuchar su iPod

1. Para encender, oprima el botón POWER (encendido) en la parte superior de la unidad (Fig. 1).
2. Oprima el botón PLAY/PAUSE (sonido/pausa) del iPod para cortar el sonido; oprima otra vez para resumir el sonido.
3. Presione la tecla "V" or "Λ" en la unidad para ajustar el volumen (Fig. 1).
4. Oprima el ◀◀ o ▶▶ de su iPod para ir a la pista magnética siguiente o anterior.
5. Para apagar la unidad, oprima el botón POWER en la tapa de la unidad. El iPod seguirá cargándose en la plataforma.

Para escuchar un iPod desconectado de la plataforma, u otros dispositivos de sonido portátiles

Si está usando un iPod sin la plataforma de conexión, otro dispositivo MP3, u otro dispositivo de sonido portátil, puede escucharlo por la unidad por medio del enchufe de entrada (LINE IN) ubicado al respaldo de la unidad (Fig. 8).

1. Conecte un extremo del Cable de Conexión (incluido) (Fig. 1) en el audifono o el enchufe de salida de su dispositivo de sonido y el otro extremo del Cable de Conexión en el enchufe de entrada (LINE IN) ubicado al respaldo de la unidad (Fig. 5).
2. Oprima el BOTÓN POWER (encendido) del iSoundSpa para encenderlo (Fig. 1).
3. Encienda y escuche su dispositivo externo de sonido.
4. Presione la tecla "V" or "A" en la unidad para ajustar el volumen (Fig. 1).

Atención: Puede necesitar ajustar también el volumen de su dispositivo externo.

5. Para apagar la unidad, oprima el botón POWER en el respaldo de la unidad.

Atención: Usted puede necesitar apagar también su dispositivo externo de sonido.

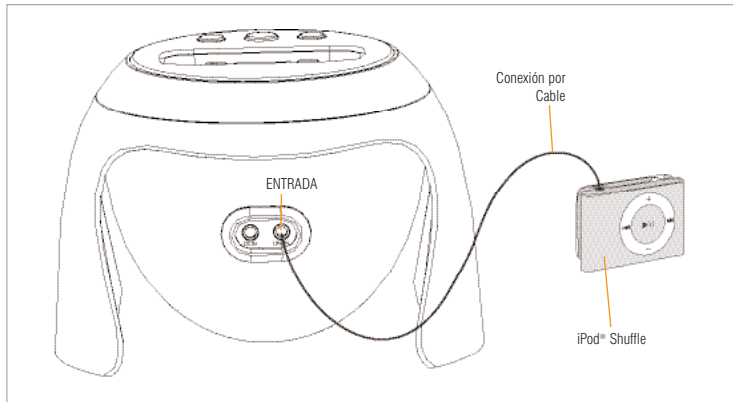


Figura 5

Para Cambiar las Cubiertas de Colores

Para Sujetar las Cubiertas

1. Seleccione una cubierta.
2. Coloque la cubierta sobre la unidad, de manera que las 3 muescas queden alineadas.
3. Con una mano encima de la unidad, aplique presión y suavemente haga girar la cubierta en sentido horario, asegurándose de que las 3 muescas queden bloqueadas en su lugar. (Fig. 6)

Para Retirar la Cubierta

1. Con una mano encima de la unidad, aplique presión y suavemente haga girar la cubierta en sentido antihorario, separando las 3 muescas de la base de la unidad. (Fig. 7)
2. Sujete la cubierta y hale hacia arriba. Asegúrese de no forzar o halar demasiado con fuerza para que las muescas no se rompan.
3. Vea las instrucciones sobre cómo reemplazar las cubiertas en la sección PARA SUJETAR LAS CUBIERTAS

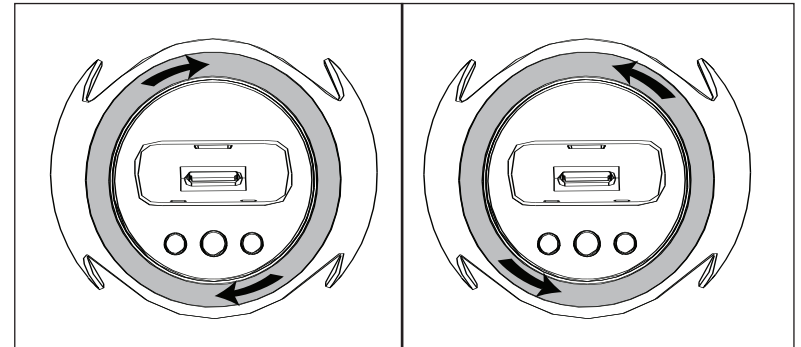


Figura 6

Figura 7

Mantenimiento

Para guardar

Puede dejar la unidad en exhibición o puede guardarla en su caja o en un lugar fresco y seco.

Para limpiar

Para limpiar la carcasa de la unidad use sólo un paño suave y seco. NUNCA use líquidos o limpiadores abrasivos para limpiar la unidad.

Las modificaciones no autorizadas por el fabricante pueden invalidar el derecho del usuario a operar este dispositivo.

Atención: Este equipo ha sido ensayado y probado y se ha comprobado que cumple con los límites de los dispositivos digitales de la Clase B, según la Sección 15 de las Normas FCC. Estos límites han sido dispuestos para proporcionar una protección razonable contra las interferencias dañinas en las instalaciones domésticas. Este equipo genera, usa y puede irradiar energía de radiofrecuencia y, si no se instala y usa según las recomendaciones, puede causar interferencias dañinas a las comunicaciones radio. Sin embargo, no hay garantías de que dichas interferencias no se produzcan en una instalación particular. Si este equipo causara interferencias dañinas a la recepción de radio o televisión, lo que puede determinarse encendiendo y apagando el equipo, se anima al usuario a que trate de corregir la interferencia con uno o más de los siguientes procedimientos:

- Volver a orientar y ubicar la antena receptora.
- Aumentar la distancia entre el equipo y el receptor.
- Conectar el equipo a un tomacorriente eléctrico de un circuito diferente de aquel donde está conectado el receptor.
- Consultar con el representante o con un técnico experto de radio/TV para recibir ayuda.